

INTAKE MANIFOLD <6G7>

15100300663

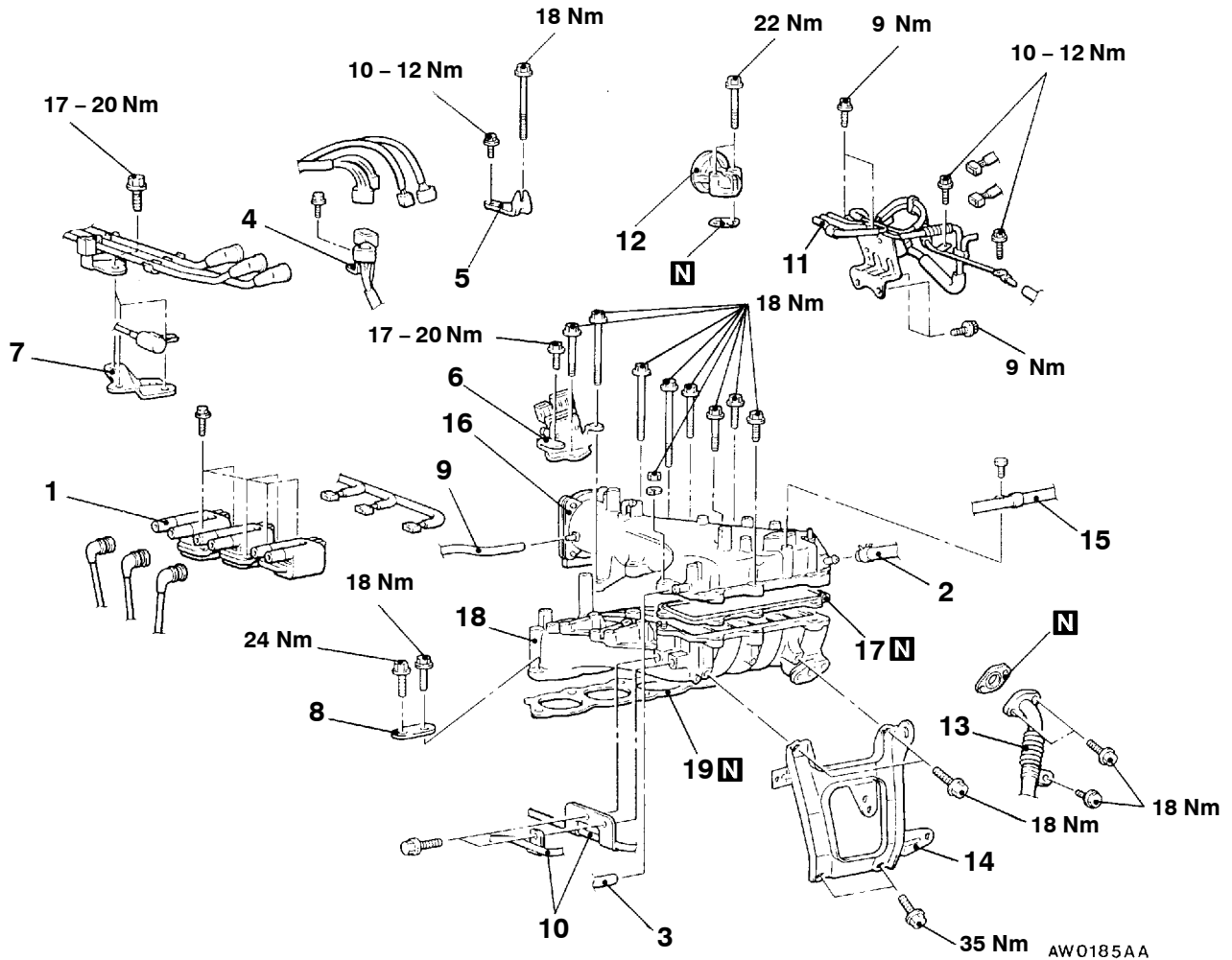
REMOVAL AND INSTALLATION

Pre-removal Operation

- Fuel Discharge Prevention (Refer to GROUP 13A – On-vehicle Service.)
- Throttle Body Removal (Refer to GROUP 13A – Throttle Body.)

Post-installation Operation

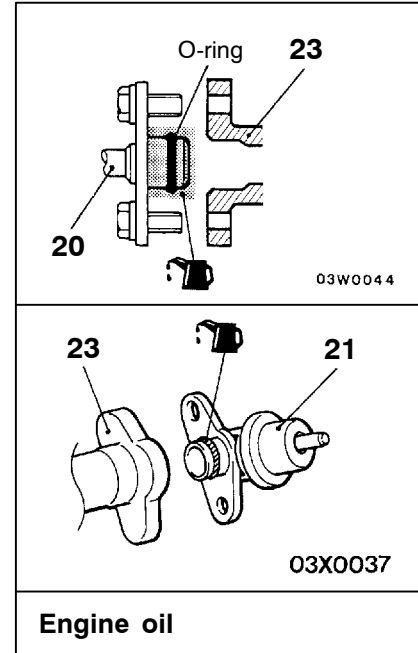
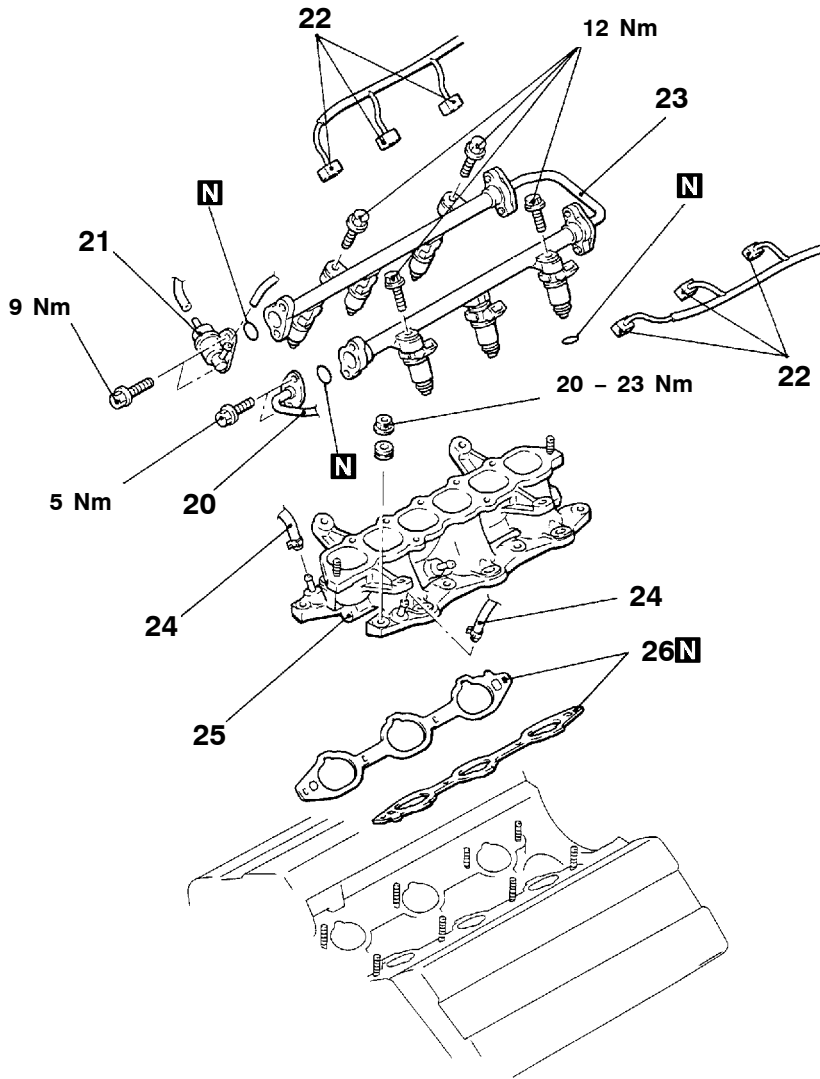
- Throttle Body installation (Refer to GROUP 13A – Throttle Body.)

**Removal steps**

- | | |
|---|--|
| <ol style="list-style-type: none"> 1. Ignition coils 2. Brake booster vacuum hose connection 3. PCV hose connection 4. Crankshaft position sensor and cam position sensor connector 5. Accelerator cable bracket 6. Ignition power transistor 7. Water outlet fitting bracket 8. Water pump stay 9. Vacuum hose connection | <ol style="list-style-type: none"> 10. Fuel pipe connection 11. Solenoid valve and vacuum hose assembly 12. EGR valve 13. EGR pipe connection 14. Surge tank stay 15. Throttle cable connection 16. Air intake fitting 17. Air intake fitting gasket 18. Upper intake manifold 19. Surge tank gasket |
|---|--|



AW0185AA



05 W0018
00005336

- ▶C◀ 20. High-pressure fuel hose
- ▶C◀ 21. Fuel pressure regulator
- ▶C◀ 22. Injector connector
- ◀A▶ 23. Injector and delivery pipe assembly
- ▶C◀ 24. Water hose connection
- ▶B◀ 25. Intake manifold
- ▶A◀ 26. Intake manifold gasket

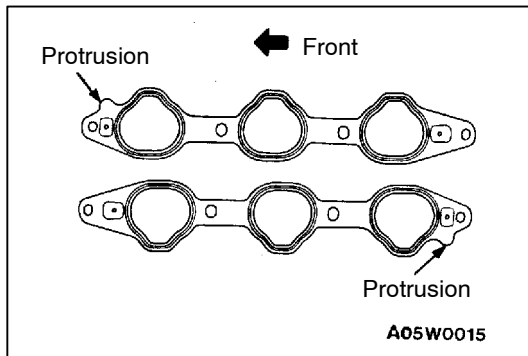
REMOVAL SERVICE POINT

**◀A▶ INJECTOR AND DELIVERY PIPE ASSEMBLY
REMOVAL**

Remove the fuel rail (with the injectors attached to it.)

Caution

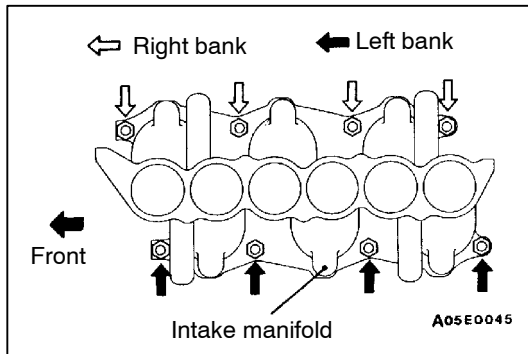
Care must be taken when removing the fuel rail not to drop the injector.



INSTALLATION SERVICE POINTS

▶A◀ INTAKE MANIFOLD GASKET INSTALLATION

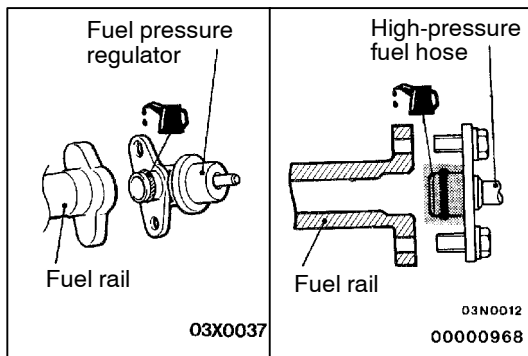
Install the gasket with the protrusions in the position illustrated.



▶B◀ INTAKE MANIFOLD INSTALLATION

Tighten the nuts by the following procedure.

Order	Mounting Nuts	Tightening Torque
1	Right-bank nuts	7 Nm
2	Left-bank nuts	20–23 Nm
3	Right-bank nuts	20–23 Nm
4	Left-bank nuts	20–23 Nm
5	Right-bank nuts	20–23 Nm

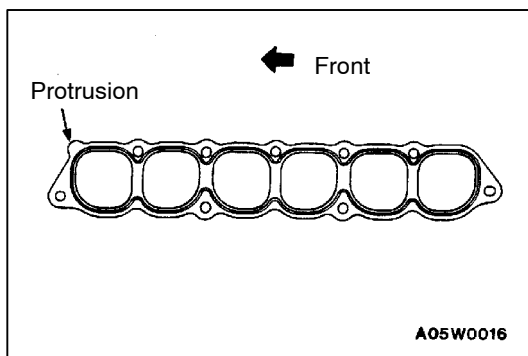


▶C◀ FUEL PRESSURE REGULATOR/HIGH-PRESSURE FUEL HOSE INSTALLATION

When connecting the fuel pressure regulator and the high-pressure fuel hose to the fuel rail, apply a small amount of new engine oil to the O-ring. Then insert the high-pressure fuel hose, being careful not to damage the O-ring.

Caution

Be careful not to let any engine oil get into the fuel rail.



▶D◀ SURGE TANK GASKET INSTALLATION

Install the gasket with the protrusion in the position illustrated.

INSPECTION

15100370039

Check the following points; replace the part if a problem is found.

INTAKE MANIFOLD CHECK

1. Check for damage or cracking of any part.
2. Clogging of the negative pressure (vacuum) outlet port, or clogging of the gas passages.
3. Check deflection of installation surface with straight edge and feeler gauge.

Standard value: 0.15 mm or less

Limit: 0.20 mm