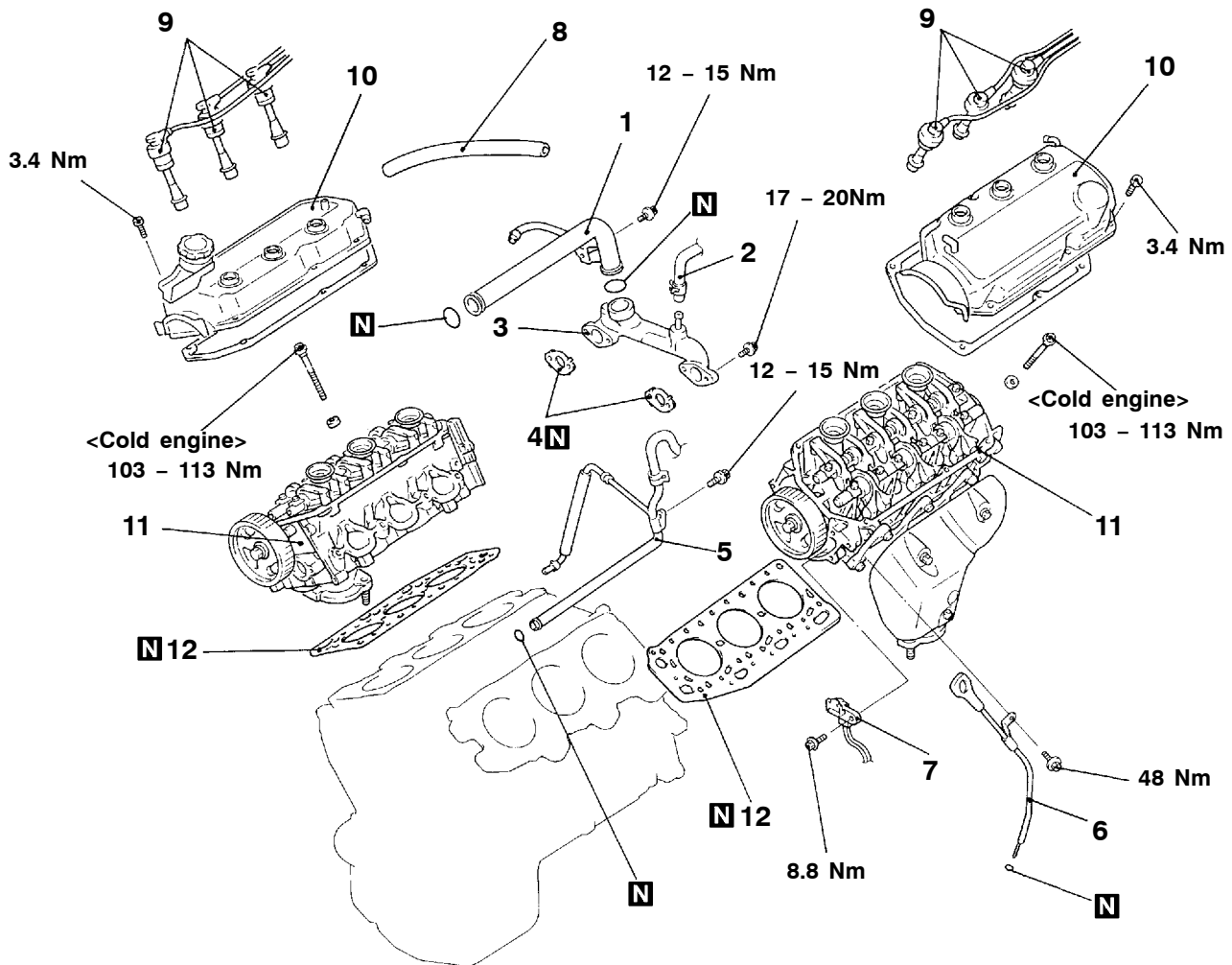


# CYLINDER HEAD GASKET

## REMOVAL AND INSTALLATION



### Pre-removal and Post-installation Operation

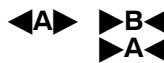
- Intake Manifold Removal and installation (Refer to GROUP 15 – Intake Manifold.)
- Timing Belt Removal and installation (Refer to P.11A-28.)
- Front Exhaust Pipe Removal and Installation (Refer to GROUP 15 – Exhaust Pipe and Main Muffler.)

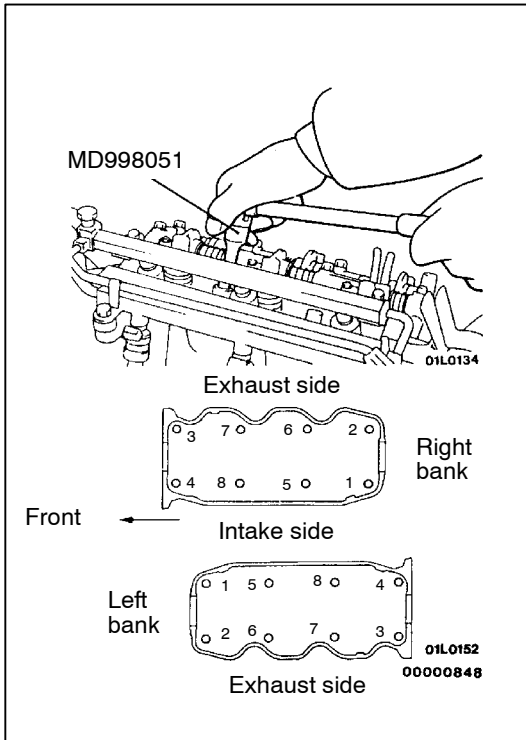


A01V0097

### Removal steps

- |   |  |   |
|---|--|---|
| <p> <br/>  </p> | <ol style="list-style-type: none"> <li>1. Water outlet pipe assembly</li> <li>2. Heater hose connection</li> <li>3. Water passage assembly</li> <li>4. Gasket</li> <li>5. Water pipe and hose assembly</li> <li>6. Oil dipstick assembly &lt;when removing left bank only&gt;</li> </ol> | <ol style="list-style-type: none"> <li>7. Camshaft position sensor &lt;when removing left bank only&gt;</li> <li>8. Breather hose</li> <li>9. Spark plug cable</li> <li>10. Rocker cover</li> <li>11. Cylinder head assembly</li> <li>12. Cylinder head gasket</li> </ol> |
|---|--|---|

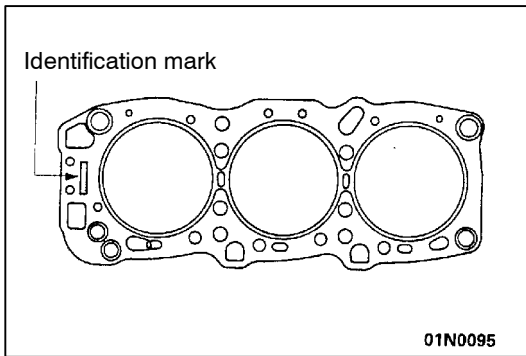




**REMOVAL SERVICE POINTS**

**◀A▶ CYLINDER HEAD ASSEMBLY REMOVAL**

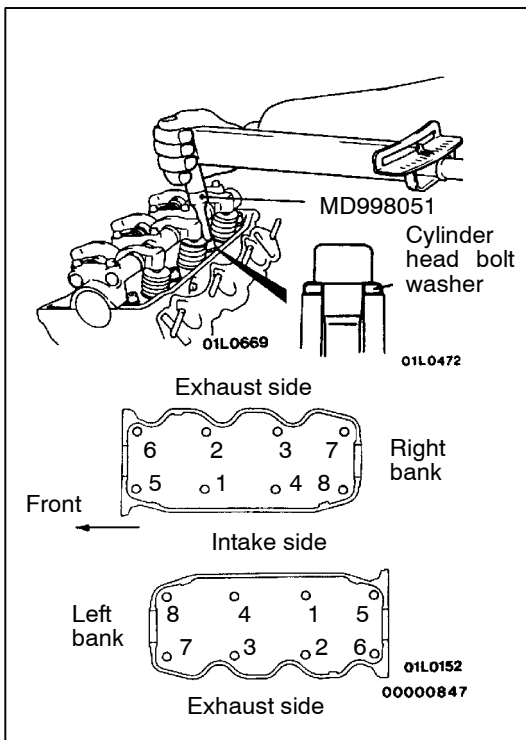
Use special tool to tighten each bolt two or three steps in the order shown in the illustration.



**II INSTALLATION SERVICE POINTS**

**▶A◀ CYLINDER HEAD GASKET INSTALLATION**

1. Degrease the cylinder head and cylinder block gasket mounting surfaces.
2. Make sure that the gasket has the proper identification mark for the engine.
3. Lay the cylinder head gasket on the cylinder block with the identification mark at the front top.



**▶B◀ CYLINDER HEAD ASSEMBLY INSTALLATION**

1. Use a scraper to clean the gasket surface of the cylinder head assembly.

**Caution**

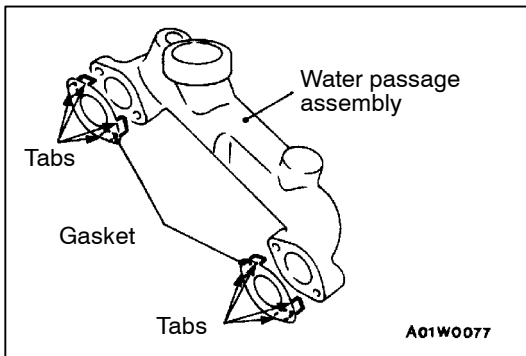
**Be careful that no foreign material gets into the cylinder, coolant passages or oil passages. Engine damage may result.**

2. Using special tool and a torque wrench, tighten the bolts to the specified torque in the order shown in the illustration. (in two or three cycles)

**Tightening torque: 103 – 113 Nm**

**Caution**

**Install the head bolt washers with the beveled side facing upwards as shown in the illustration.**



### ►◀ GASKET/WATER PASSAGE ASSEMBLY INSTALLATION

Bend the tabs onto the water passage assembly. Then install the water passage assembly to the cylinder head so that the gasket doesn't slip.