

INSTALLATION SERVICE POINT

▶A◀ CRANKSHAFT PULLEY INSTALLATION

Use special tools in the same way as during removal to install the crankshaft pulley.

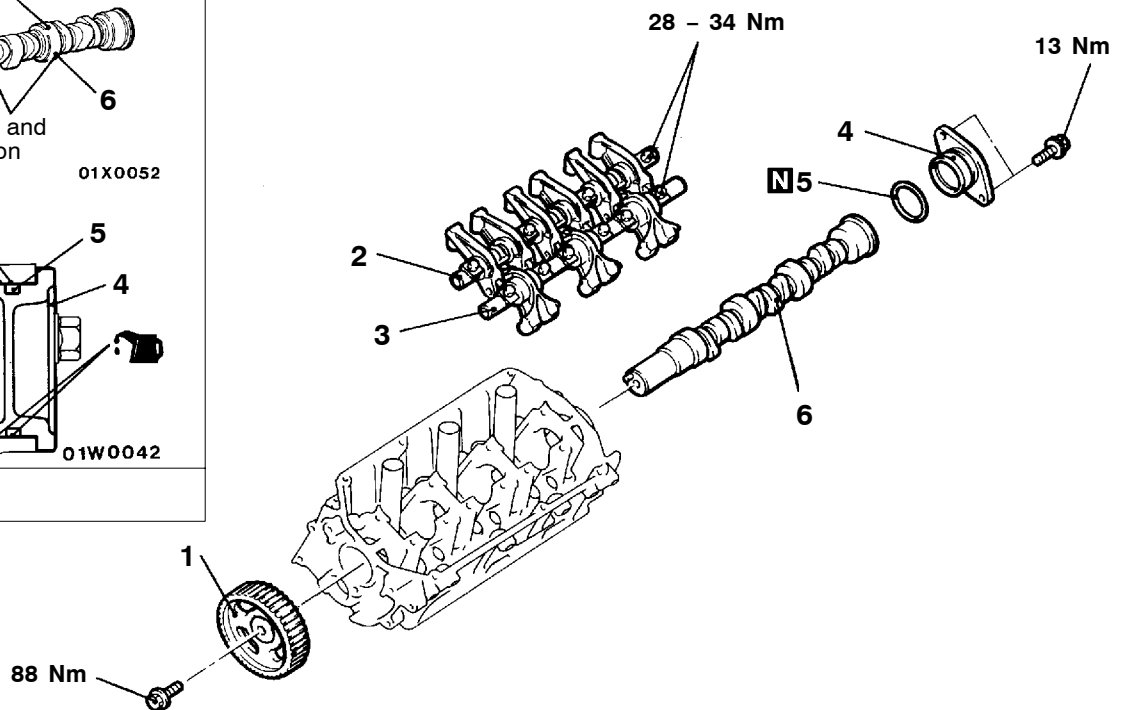
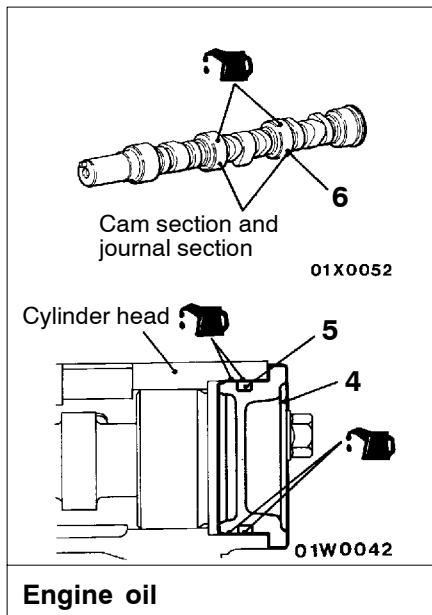
CAMSHAFT

11200190661

REMOVAL AND INSTALLATION

Pre-removal and Post-installation Operation

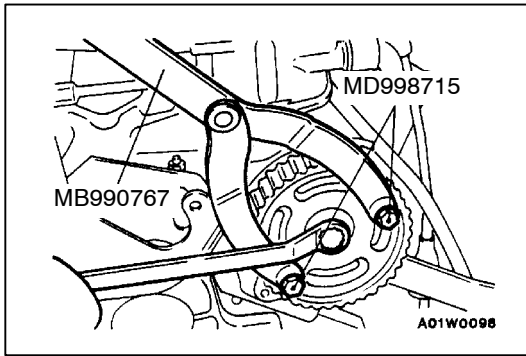
- Cylinder Head Assembly Removal and Installation (Refer to P.11A-25.)



01W0055
00000859

Removal steps

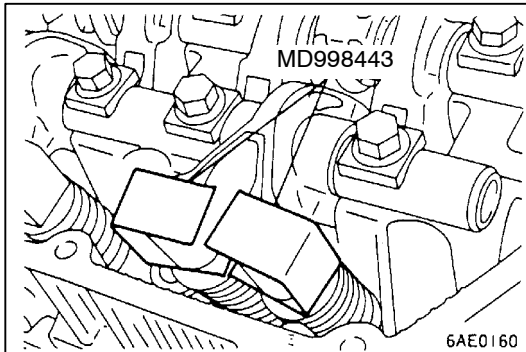
- | | | |
|-----|-----|---|
| ◀A▶ | ▶B◀ | 1. Camshaft sprocket |
| ◀B▶ | ▶A◀ | 2. Rocker arm and shaft assembly (intake side) |
| ◀B▶ | ▶A◀ | 3. Rocker arm and shaft assembly (exhaust side) |
| | | 4. Thrust case |
| | | 5. O-ring |
| | | 6. Camshaft |



REMOVAL SERVICE POINTS

◀A▶ CAMSHAFT SPROCKET REMOVAL

Use special tools to remove the camshaft sprocket.

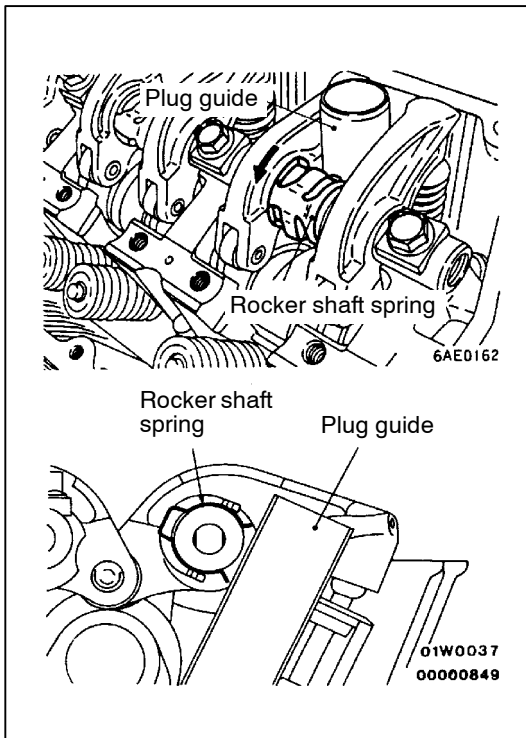


◀B▶ ROCKER ARM AND SHAFT ASSEMBLY REMOVAL

1. Install special tool as shown in the illustration so that the lash adjusters will not fall out.
2. Loosen the rocker arm and shaft assembly mounting bolt, and then remove the rocker arm and shaft assembly with the bolt still attached.

Caution

Never disassemble the rocker arm and shaft assembly.



INSTALLATION SERVICE POINTS

▶A▶ ROCKER ARM AND SHAFT ASSEMBLY INSTALLATION

1. Temporarily tighten the rocker shaft with the bolt so that all rocker arms on the inlet valve side do not push the valves.
2. Fit the rocker shaft spring from the above and position it so that it is right angles to the plug guide.

NOTE

Install the rocker shaft spring before installing the rocker arm and rocker arm shaft on the exhaust side.

3. Tighten the rocker arm and shaft assembly mounting bolt to the specified torque.

Tightening torque: 28 – 34 Nm

4. Remove the special tool for fixing the lash adjuster.

►B◄ CAMSHAFT SPROCKET INSTALLATION

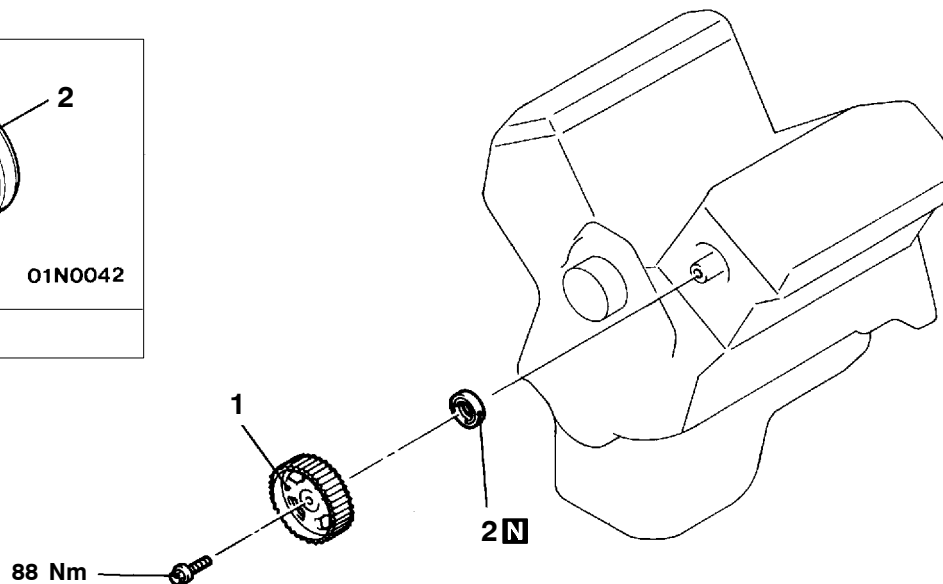
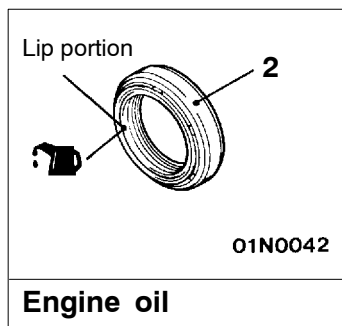
Use special tools in the same way as during removal to install the camshaft sprocket.

**CAMSHAFT OIL SEAL
REMOVAL AND INSTALLATION**

11200200012

Pre-removal and Post-installation Operation

- Timing Belt Removal and Installation
(Refer to P.11A-28.)



01W0056
00000863

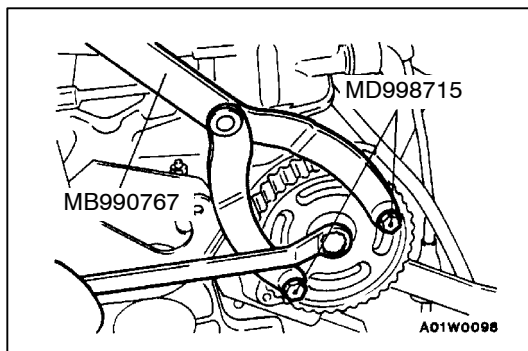
Removal steps

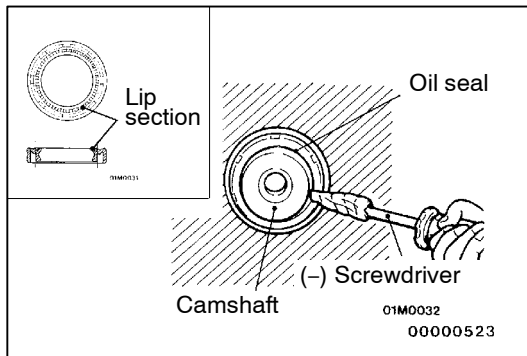
- ◄A► ►B◄ 1. Camshaft sprocket
◄B► ►A◄ 2. Camshaft oil seal

REMOVAL SERVICE POINTS

◄A► CAMSHAFT SPROCKET REMOVAL

Use special tools to remove the camshaft sprocket.



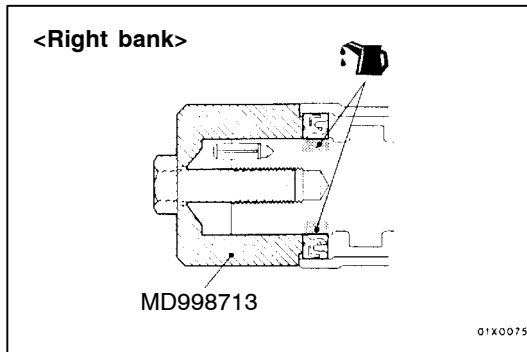


◀B▶ CAMSHAFT OIL SEAL REMOVAL

1. Make a notch in the oil seal lip section with a knife, etc.
2. Cover the end of a flat-tipped screwdriver with a shop towel and insert into the notched section of the oil seal, and pry out the oil seal to remove it.

Caution

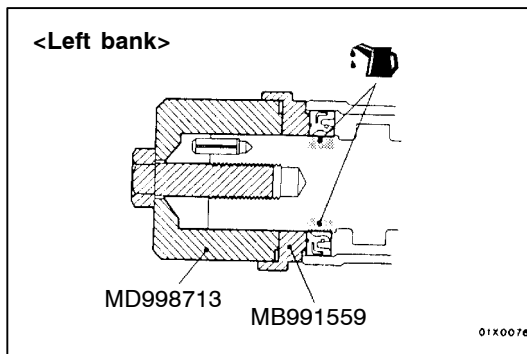
Be careful not to damage the camshaft and the cylinder head.



INSTALLATION SERVICE POINTS

▶A◀ CAMSHAFT OIL SEAL INSTALLATION

1. Apply engine oil to the camshaft oil seal lip.
2. Use special tools to press-fit the camshaft oil seal.



▶B◀ CAMSHAFT SPROCKET INSTALLATION

Use special tools in the same way as during removal to install the camshaft sprocket.